

壓電陶瓷揚聲器 Piezoelectric Speake

ABAT31-E39078CA00

■ 特色 Features

- 1) 高音質 高音壓; High-quality sound and sound pressure level (SPL)
- 2) 輕: 本體 $\leq 7g$; Light weight $\leq 7g$
- 3) 薄: 本體 $< 3mm$; Ultra slim : size $< 3mm$
- 4) 省電 $< 6mw@1KHz$ 5Vrms; Power Saving $< 6mw@1KHz$ 5Vrms
- 5) 防水, 耐熱; Waterproof, heat-resistant
- 6) 使用正常工作電壓 3.5V ~ 7V (rms); Operating voltage 3.5V ~ 7V (rms)
- 7) 無漏磁, 干擾問題, 節省防磁費用; No magnetic interference, saving antimagnetic cost
- 8) 易於安裝在大尺寸 LCD 電視及超薄聲霸等; Easy assembling on Large size LCD TV and Ultra-Thin Sound Bar
- 9) 360 度任何位置, 都能欣賞到完整, 真實的聲音; Wide 360 degree listening range gives you rich balanced sound in every corner of the room
- 10) 音樂與人聲還原性極佳; Outstanding music and vocal reproduction

■ 用途 Applications

產品需要輕薄省電有空間限制的電聲應用於大尺寸 LCD 電視及超薄聲霸等;

Ideal for Slim, lightweight, energy saving and space limits applied products; Large size LCD TV and Ultra-Thin Sound Bar

■ 標準規格 Standard Specifications

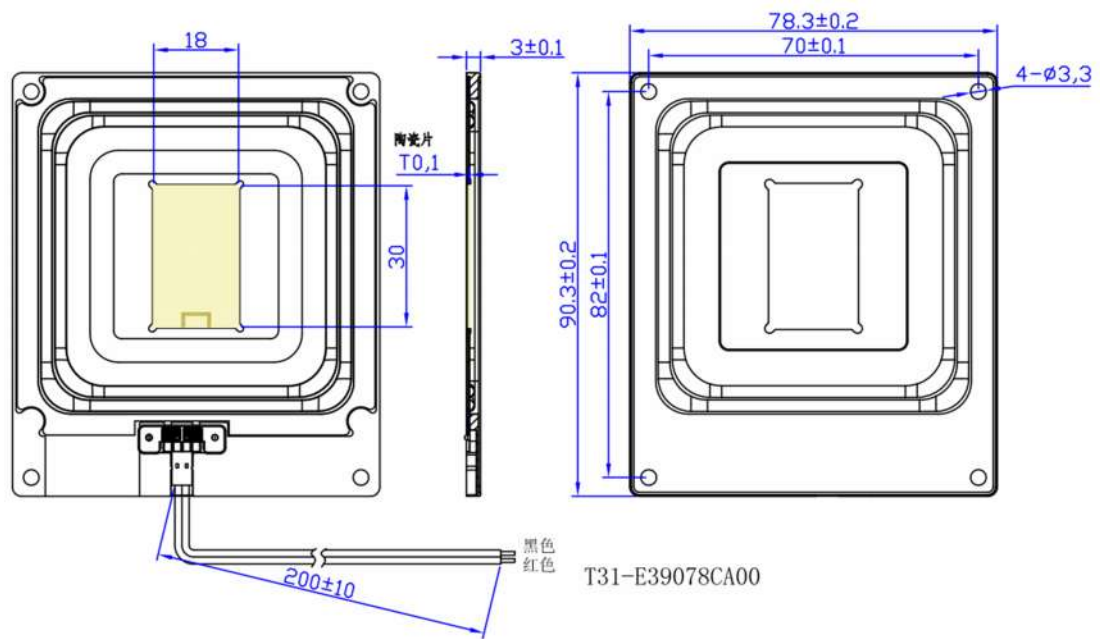
項目 ITEM	料號 Part Number: 31-E39078CA00
	規格 Specifications
額定頻率範圍 Rated Frequency Range	400Hz to 20kHz
音壓 Sound Pressure Level	83dB \pm 5.0dB
諧振頻率 Resonant Frequency	580Hz \pm 20%
靜電容量 Capacitance	1.15 μ F \pm 20%
最大正弦波電壓 Maximum Sinusoidal Voltage	7.0Vrms
工作溫度範圍 Operating Temperature Range	-5 to +70°C
儲存溫度範圍 Storage Temperature Range	-0 to +50°C

壓測量條件: 輸入訊號=5.0Vrms 正弦波, 於 100mm 距離處測定 1.5k, 2.0k, 2.5k, 3.0kHz 四個頻率所得之平均值靜電容量測量條件: 0.1Vrms 120Hz

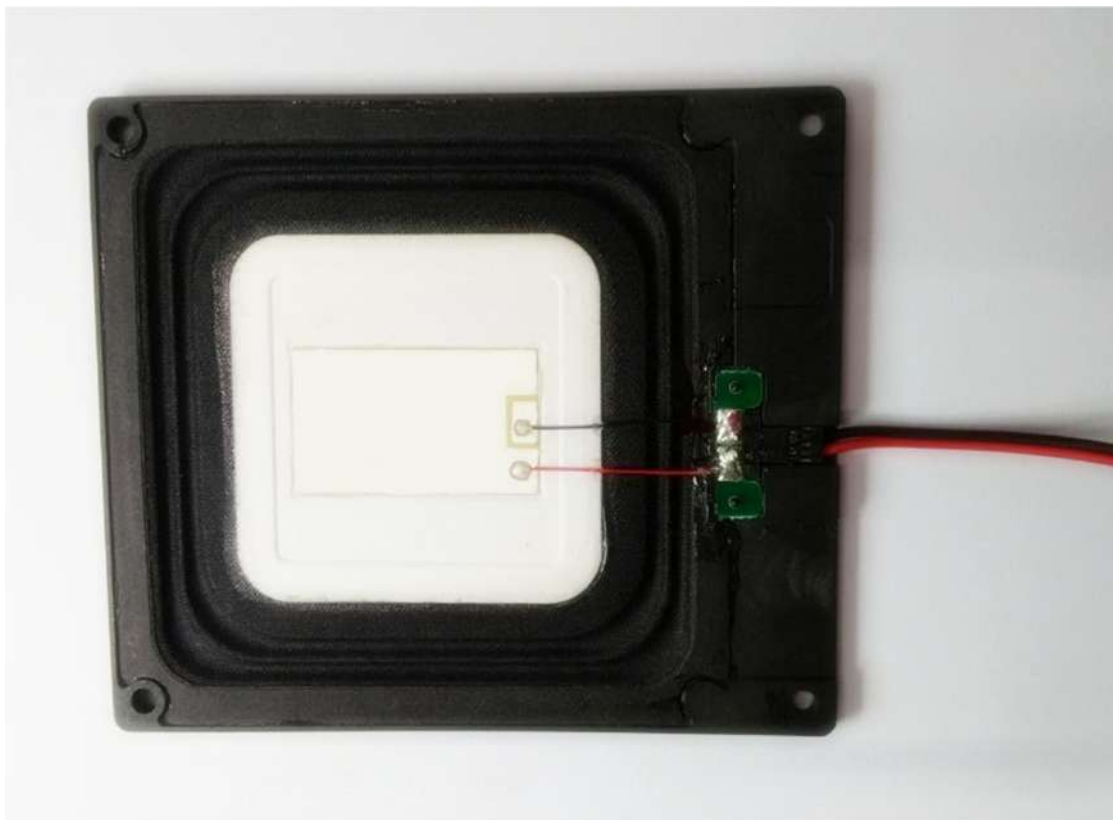
Measurement Condition of Sound Pressure Level Input Signal=5.0Vrms, Sine Wave, at 100mm, Average at 1.5k, 2.0k, 2.5k, 3.0kHz Measurement

Condition of Capacitance: 0.1Vrms, at 120Hz

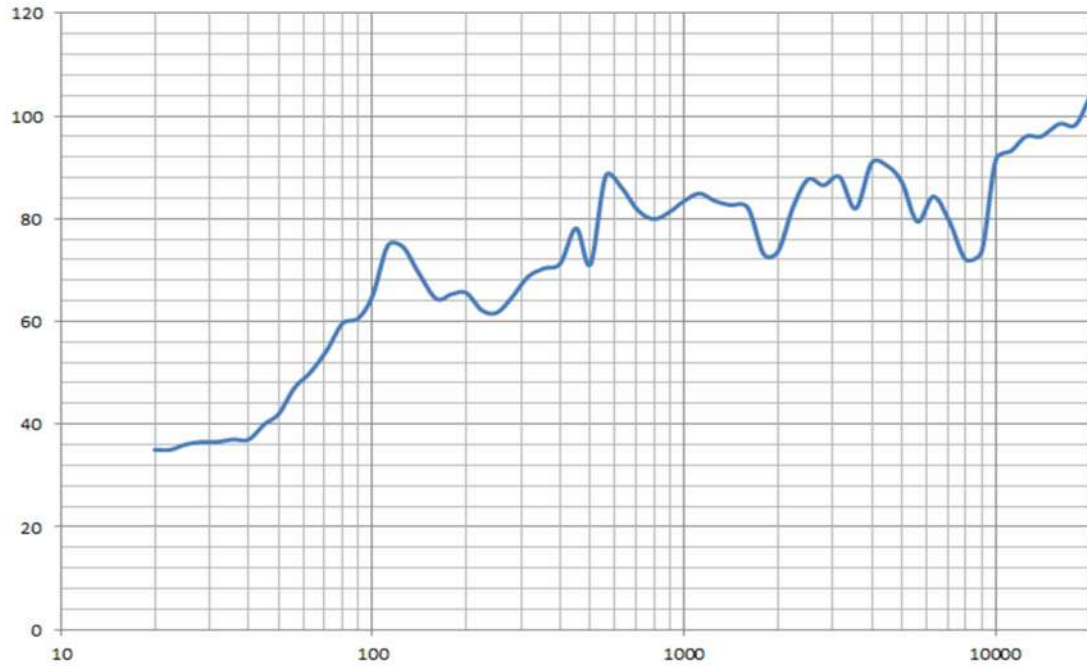
■ 尺寸大小 Dimensions



■ 外觀照片 External Photos



音壓頻率特性 Frequency Characteristics of Sound Pressure Level



音壓測量條件：輸入信號：5.0Vrms，正弦波，於 100mm距離測得 Measurement Condition of Sound Pressure Level Input Signal=5.0Vrms, Sine Wave, at 100mm

壓電陶瓷喇叭放大器參考範例 Amplifier circuit example for ceramic speaker

